

# IMPORTADORA ISIS

SOLENOIDES MOTOR DE PARTIDA

EQUIVALENCIA FORD

**ZM401** **12V**

FORD LINCOLN / MERCURY / UNIVERSAL  
FORD: B6AZ-11450-A

**ZM2401** **24V**

SOLENOIDE UNIVERSAL  
FORD

**SS66202** **12V**

SOLENOIDE FORD 4 TERMINALES  
FORD: E5AZ-11450-A / SW1533 / 231930 / 66-202

**SS66203** **12V**

SOLENOIDE FORD 3 TERMINALES  
FORD: E5TZ-11450-A / SW1951 / 231930 / 66-203

**DNI8188** **MAX 100A 12V**

SOLENOIDE AUXILIAR DE PARTIDA  
3 TERMINALES  
FORD: E5DF11450AA

**DNI8189** **MAX 100A 12V**

SOLENOIDE AUXILIAR DE USO CONTINUO  
4 TERMINALES

**DNI8180** **MAX 100A 24V**

SOLENOIDE AUXILIAR DE USO CONTINUO  
3 TERMINALES

**ZM760** **12V**

Note: Similar to ZM 1-760 except tinned contact bolts.  
Nota: Similar ao ZM 1-760 sem estanho nos parafusos de contato.

FORD TAURUS / WINDSTAR / LINCOLN  
FORD: E90Z-11390-B

**ZM1760** **12V**

FORD TAURUS / WINDSTAR / LINCOLN  
MERCURY SABLE  
FORD: E90Z-11390-A

**ZM4760** **12V**

FORD EXPLORER / AEROSTAR / RANGER 4.0  
FORD: F77U-11000-AA

**ZM761** **12V**

FORD COURIER / ESCORT / FIESTA / RANGER  
TAURUS / JA GUAR X-TYPE / MAZDA B  
FORD: F3RZ-11390-A

**ZM1761** **12V**

FORD COURIER / ESCORT / FIESTA / RANGER  
TAURUS / JA GUAR X-TYPE / MAZDA B  
FORD: F3RZ-11390-A

**CNZM8761** **12V**

Note: Similar to ZM 1-761 with spade terminal.  
Nota: Similar ao ZM 1-761 com terminal espada.

FORD RANGER 2.3L / MAZDA SERIE B  
FORD:

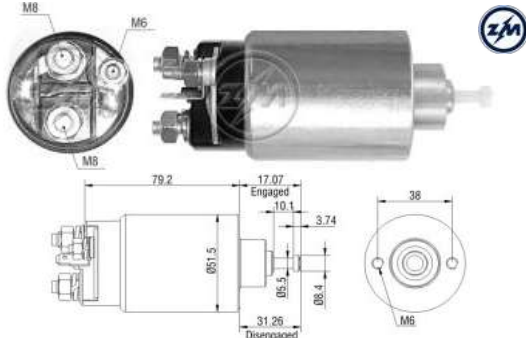
**ZM762** **12V**

Note: Similar to ZM 1-762 except tinned contact bolts.  
Nota: Similar ao ZM 1-762 sem estanho nos parafusos de contato.

FORD CROWN VICTORIA / E / EXPEDITION / F  
LINCOLN NAVIGATOR / MERCURY COUGAR  
FORD: F6VZ-11390-AA

**CNZM8762**

**12V**

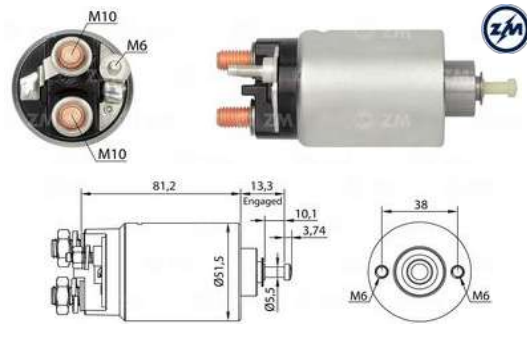


Note: Similar to ZM 1-762 with spade terminal.  
Nota: similar ao ZM 1-762 com terminal escada.

**FORD EXPEDITION 4.6L / 5.4L**  
**FORD: E90Z-11390-A**

**ZM766**

**12V**

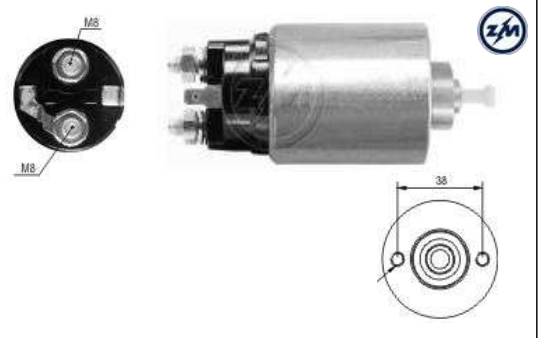


**FORD E / F / 450 / 550 / 650 / 750 6.0L / 7.3L**

**FORD: XG-11390-908813**

**ZM769**

**12V**



**FORD RANGER 2.5D 3.0D / MAZDA B / BT50 /**

**FORD: F8RU-11000-AA**

